

## GENIUS CONTROL CTRL-64

### GENERAL INFORMATION

The GENIUS CTRL-64 control is a device that can control one or more regulators. Several operation procedures can be set and they can even be increased if you combine it with the GENIUS SENSOR probe for the luminosity measurement. Thanks to the internal timer you can set up to 672 points of regulation per week without any need of external clocks, for which in any case a gate is available. You can define the lamp lighting cycle, the waiting time between the switching off and the new switching on of a lamp. It has been projected to be placed in switchboard panels and it has been manufactured in standard modular box for omega bar.

CODICE	MODELLO
100285	GENIUS CONTROL CTRL-64



### FUNCTIONAL CHARACTERISTICS

- Weekly timer with 672 programmable cycles
- 3 different PRESETS for each cycle
- Crepuscular hysteresis operation procedure with GENIUS SENSOR PROBE
- Tension regulation with fixed luminosity TARGET with internal GENIUS SENSOR PROBE
- Tension regulation dependent upon the sunlight with external GENIUS SENSOR PROBE
- Setting of the absolute maximum value of tension VMAX
- Setting of the absolute minimum value of tension VMIN
- Setting of the lamp lighting cycle PREHEAT
- Setting of the waiting time from the lighting after a sudden switching off RESTRIKE
- Setting of the variation speed of the tension CROSS
- Possibility to check the tension manually simulating potentiometer TEST
- Instantaneous visualization of the output tension
- Instantaneous visualization of the luminosity level sensed by the GENIUS SENSOR probe
- Internal short circuit protection
- Network powered
- 6 units modular box
- Installation in switchboard panels with omega bar fixing

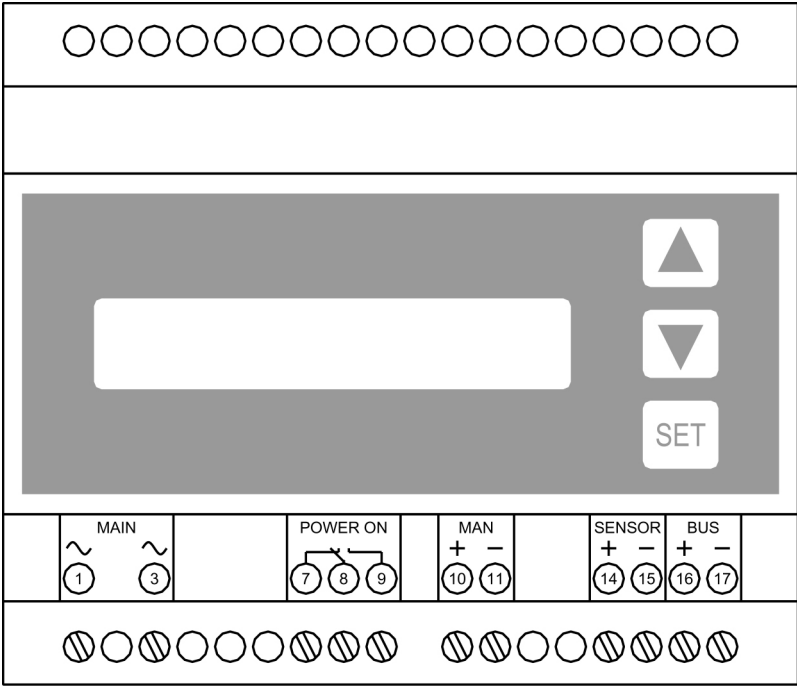
## EQUIPMENT

- 16 characters display
- 3 function buttons
- BUS gate for communication with GENIUS POWER
- SENSOR gate for communication with GENIUS SENSOR
- Clean contact NO/NC POWER ON for operation of the external devices
- TIMER contact for control deactivation
- MAN control for forced lamp lighting
- Power connection 230VAC

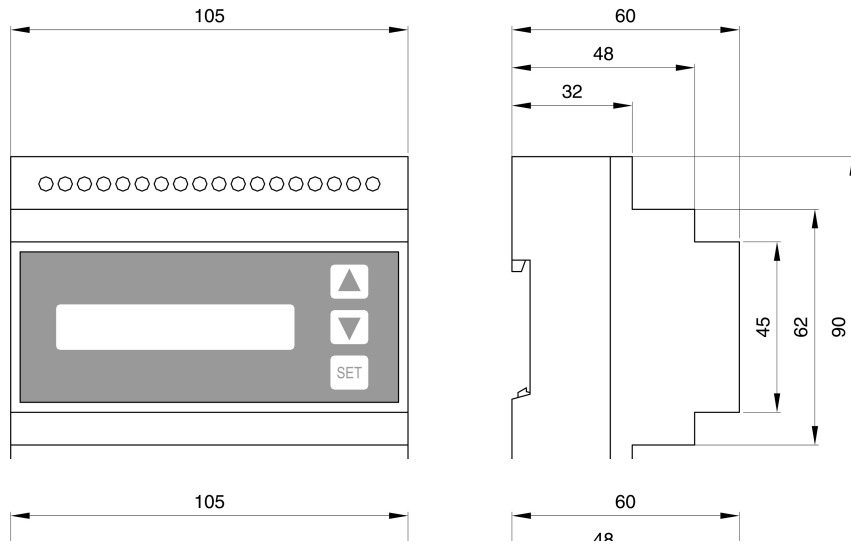
## TECHNICAL CHARACTERISTICS

PARAMETRO	VALORE
Feed	230V $\pm$ 15%
Frequency	50Hz
Power	3W
Class of isolation	Class I
EMC emission	In accordance with EN61000-6-2
EMC immunity	In accordance with EN61000-6-3
Operating temperature	From $-10^{\circ}\text{C}$ to $+45^{\circ}\text{C}$
Stocking temperature	From $-25^{\circ}\text{C}$ to $+75^{\circ}\text{C}$
Humidity	Up to 90% without condensate
Altitude	2000 m above sea level
Protection degree	IP20
Weight	500g
Terminal section	rigid conductor $2.5\text{mm}^2$

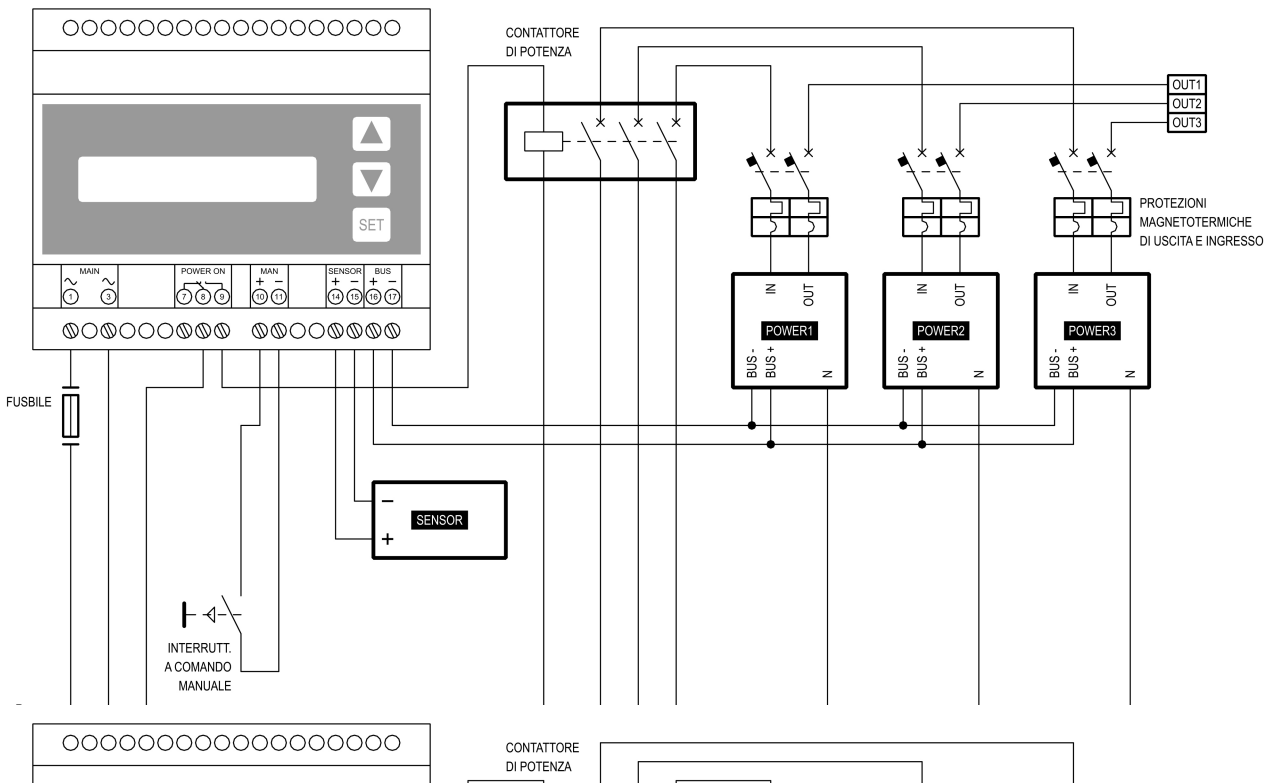
**FRONT VIEW**



**MECHANICAL SIZES**



**WIRING DIAGRAM**



## Drawing 1

Typical application of GENIUS CTRL-64 in three-phase system